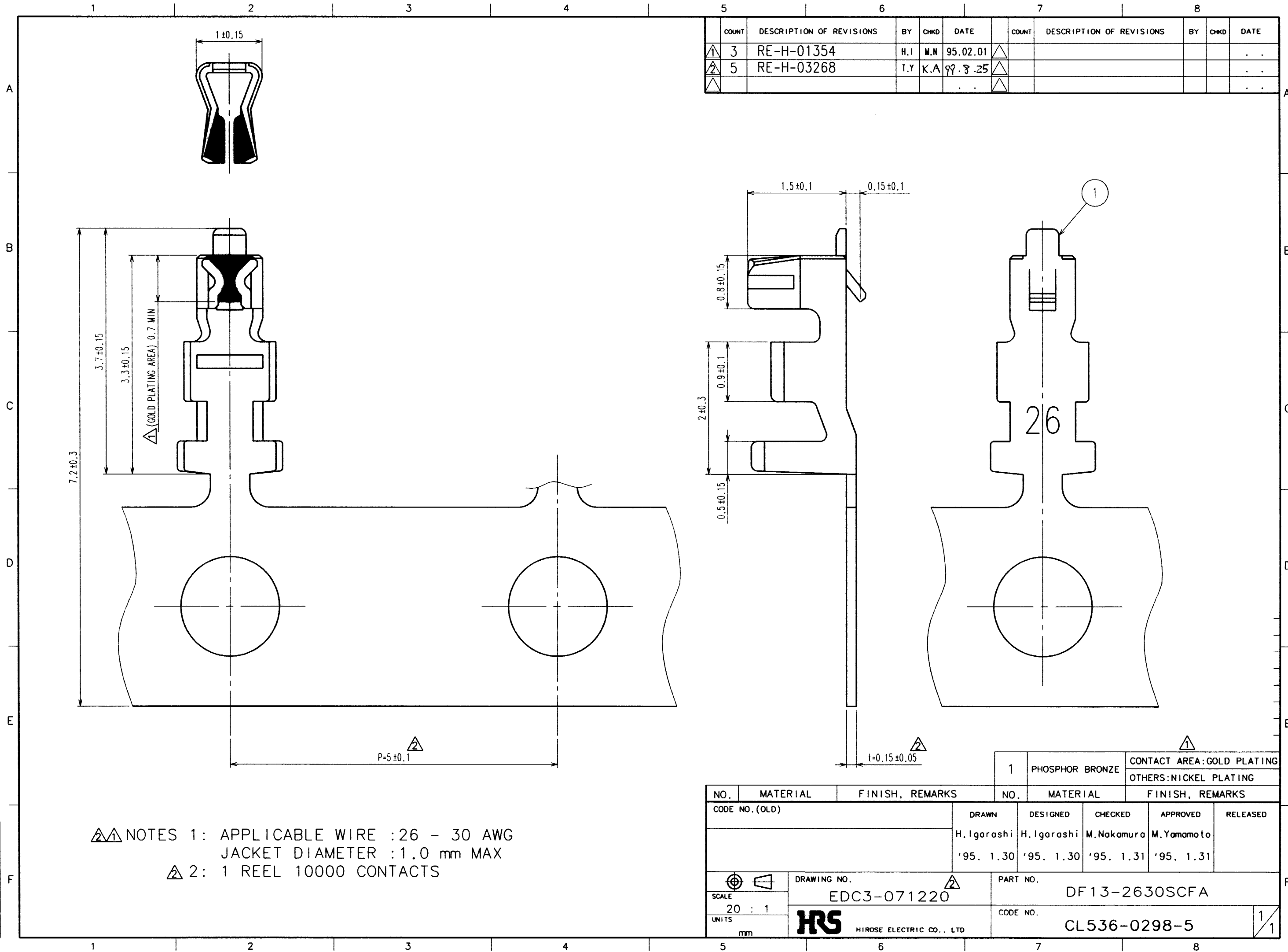


| |
|----|
| TO |
| |
| |
| |



| COUNT | DESCRIPTION OF REVISIONS | BY | CHKD | DATE | COUNT | DESCRIPTION OF REVISIONS | BY | CHKD | DATE |
|-------|--------------------------|-----|------|----------|-------|--------------------------|----|------|------|
| 3 | RE-H-01354 | H.I | M.N | 95.02.01 | | | | | |
| 5 | RE-H-03268 | T.Y | K.A | 99.8.25 | | | | | |

△△ NOTES 1: APPLICABLE WIRE : 26 - 30 AWG
 JACKET DIAMETER : 1.0 mm MAX
 △ 2: 1 REEL 10000 CONTACTS

| 1 | | PHOSPHOR BRONZE | CONTACT AREA: GOLD PLATING | | | | |
|----------------|----------|------------------------------|----------------------------|---------------|-------------|-----------------|--|
| 1 | | PHOSPHOR BRONZE | OTHERS: NICKEL PLATING | | | | |
| NO. | MATERIAL | FINISH, REMARKS | | NO. | MATERIAL | FINISH, REMARKS | |
| CODE NO. (OLD) | | DRAWN | DESIGNED | CHECKED | APPROVED | RELEASED | |
| | | H. Igarashi | H. Igarashi | M. Nakamura | M. Yamamoto | | |
| | | '95. 1.30 | '95. 1.30 | '95. 1.31 | '95. 1.31 | | |
| SCALE | | DRAWING NO. | | PART NO. | | | |
| 20 : 1 | | EDC3-071220 | | DF13-2630SCFA | | | |
| UNITS | | HRS HIROSE ELECTRIC CO., LTD | | CODE NO. | | CL536-0298-5 | |
| mm | | | | | | 1/1 | |